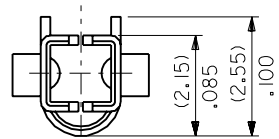
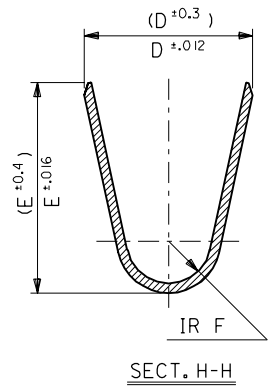
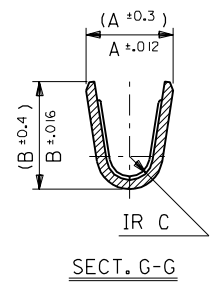
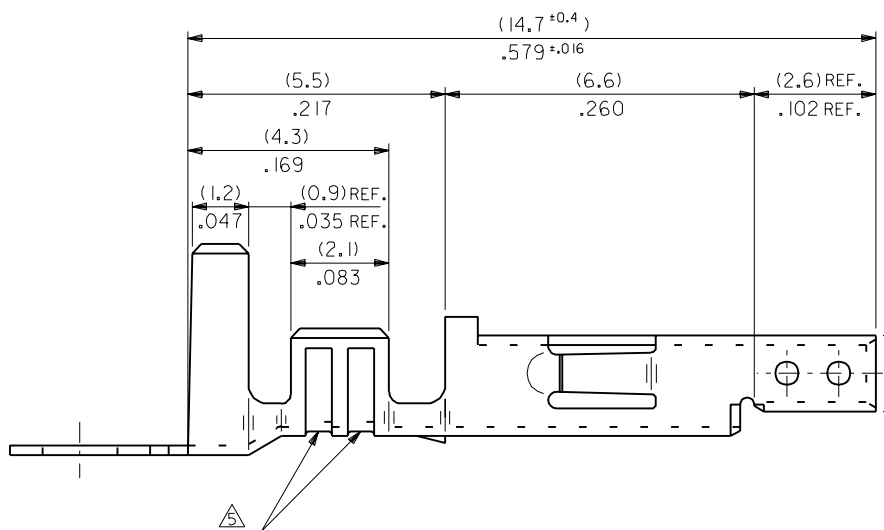
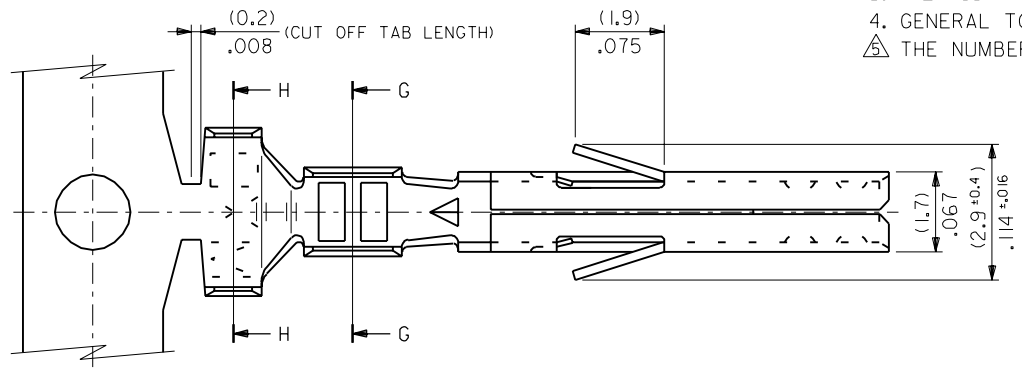


NOTES

1. APPLICABLE HOUSING : 5557 SERIES.
  2. MATES WITH TERMINAL : 5558, 5566, 5569 SERIES.
  3. (METRIC) VALUES SHOWN GOVERN OVER ENGLISH CONVERSION VALUES.
  4. GENERAL TOLERANCES OF ENGLISH CONVERSION VALUES : ±.008 INCH.
- △ THE NUMBER OF SERRATIONS TO BE ONE FOR WIRE RANGE #22-28.



		材料 MATERIAL		SEE SHEET 2 OF 2	MOLEX-JAPAN CO.,LTD. 日本モレックス株式会社
		仕上げ FINISH		SEE SHEET 2 OF 2	
		適用電線範囲 WIRE RANGE		SEE SHEET 2 OF 2	EDP. NO. SEE SHEET 2 OF 2
		被覆外径 INS. RANGE		SEE SHEET 2 OF 2	ENG. NO. SHEET 1 OF 2 REV J
		DRAWN BY '91/5/18 H.HIRAMOTO		TITLE 名称 NEW MINI. FIT CONN. CRIMP RECEPTACLE	
		CHK'D BY '98/11/9 K.T.S.KUNISHI			
		APP'D BY '98/11/9 M.FUKUSHIMA		尺 度 SCALE 10 - 1	
角度 ANGLE ±3° 30以上 OVER ±0.3 10以上 30未滿 UNDER ±0.25 10未滿 UNDER ±0.2 一般公差 GENERAL TOLERANCES		J REVISED (JC90279) Y.K. '98/11/6 H REVISED (JC90012) Y.K. '98/7/16 G REVISED (JC80619) Y.K. '98/5/16 F REVISED & REDRAWN (J1038D) H.H. '91/6/25 記号 LTR 変更内容 DR. 日付 訂正理由 REVISION RECORD CHK. DATE		REVISE ONLY ON CAD SYSTEM	

MATERIAL	F	E	D	C	B	A	INS. RANGE	WIRE RANGE	EDP NO.	ENG. NO.	FORM
TIN OVER NICKEL PLATED PHOSPHOR BRONZE	(0.9) .035	(4.5) .177	(3.6) .142	(0.6) .024	(2.7) .106	(2.3) .091	∅ (3.1) MAX. .122	# 16	39-00-0119 ▲ -0118	5556 PBS3L ▲ PBS3	LOOSE CHAIN
	(0.6) .024	(2.3) .091	(2.3) .091	(0.4) .016	(1.65) .065	(1.8) .071	∅ (0.9-1.8) .035-.071	#22-28	-0116	PBS2L PBS2	LOOSE CHAIN
	(0.9) .035	(4.5) .177	(3.6) .142	(0.5) .020	(2.3) .091	(1.9) .075	∅ (1.3-3.1) .051-.122	# 18-24	-0115 -0114	PBSL PBS	LOOSE CHAIN
	(0.9) .035	(4.5) .177	(3.6) .142	(0.6) .024	(2.7) .106	(2.3) .091	∅ (3.1) MAX. .122	# 16	-0080 -0079	PBT3L PBT3	LOOSE CHAIN
TIN PLATED PHOSPHOR BRONZE	(0.6) .024	(2.3) .091	(2.3) .091	(0.4) .016	(1.65) .065	(1.8) .071	∅ (0.9-1.8) .035-.071	#22-28	-0066 -0065	PBT2L PBT2	LOOSE CHAIN
	(0.9) .035	(4.5) .177	(3.6) .142	(0.5) .020	(2.3) .091	(1.9) .075	∅ (1.3-3.1) .051-.122	# 18-24	-0060 -0059	PBTL PBT	LOOSE CHAIN
	(0.9) .035	(4.5) .177	(3.6) .142	(0.6) .024	(2.7) .106	(2.3) .091	∅ (3.1) MAX. .122	# 16	-0113 -0112	S3L S3	LOOSE CHAIN
	(0.6) .024	(2.3) .091	(2.3) .091	(0.4) .016	(1.65) .065	(1.8) .071	∅ (0.9-1.8) .035-.071	#22-28	-0111 -0110	S2L S2	LOOSE CHAIN
TIN OVER NICKEL PLATED BRASS	(0.9) .035	(4.5) .177	(3.6) .142	(0.5) .020	(2.3) .091	(1.9) .075	∅ (1.3-3.1) .051-.122	# 18-24	-0109 -0108	SL S	LOOSE CHAIN
	(0.9) .035	(4.5) .177	(3.6) .142	(0.6) .024	(2.7) .106	(2.3) .091	∅ (3.1) MAX. .122	# 16	-0078 -0077	T3L T3	LOOSE CHAIN
	(0.6) .024	(2.3) .091	(2.3) .091	(0.4) .016	(1.65) .065	(1.8) .071	∅ (0.9-1.8) .035-.071	#22-28	-0047 -0046	T2L T2	LOOSE CHAIN
	(0.9) .035	(4.5) .177	(3.6) .142	(0.5) .020	(2.3) .091	(1.9) .075	∅ (1.3-3.1) .051-.122	# 18-24	▼ -0039 39-00-0038	▼ TL 5556 T	LOOSE CHAIN
TIN OVER COPPER PLATED BRASS	(0.9) .035	(4.5) .177	(3.6) .142	(0.6) .024	(2.7) .106	(2.3) .091	∅ (3.1) MAX. .122	# 16	-0078 -0077	T3L T3	LOOSE CHAIN
	(0.6) .024	(2.3) .091	(2.3) .091	(0.4) .016	(1.65) .065	(1.8) .071	∅ (0.9-1.8) .035-.071	#22-28	-0047 -0046	T2L T2	LOOSE CHAIN
	(0.9) .035	(4.5) .177	(3.6) .142	(0.5) .020	(2.3) .091	(1.9) .075	∅ (1.3-3.1) .051-.122	# 18-24	▼ -0039 39-00-0038	▼ TL 5556 T	LOOSE CHAIN
	(0.9) .035	(4.5) .177	(3.6) .142	(0.6) .024	(2.7) .106	(2.3) .091	∅ (3.1) MAX. .122	# 16	-0078 -0077	T3L T3	LOOSE CHAIN

材料 MATERIAL		SEE CHART	molex MOLEX-JAPAN CO.,LTD. 日本モレックス株式会社
THICKNESS : (0.203)/.008			
J	SEE SHEET 1 OF 2	Y.K. S.K. '98/11/6	EDP. NO.
仕上げ FINISH		SEE CHART	SEE CHART
角度 ANGLE	±3°	H	適用電線範囲 WIRE RANGE
30°以上 OVER	±0.3	G	SEE CHART
10°以上 30°未滿 UNDER	±0.25	F	SEE CHART
10°未滿 UNDER	±0.2	記号 LTR	變更内容 REVISION RECORD
一般公差 GENERAL TOLERANCES		DR. CHK. DATE	被覆外径 INS. RANGE
			DRAWN BY '91/5/18 H.HIRAMOTO
			CHK'D BY '98/11/9 K.I.S.KUNISHI
			APP'D BY '98/11/9 尺度 SCALE 10 - 1
REVISE ONLY ON CAD SYSTEM			TITLE 名称 NEW MINI.FIT CONN. CRIMP RECEPTACLE